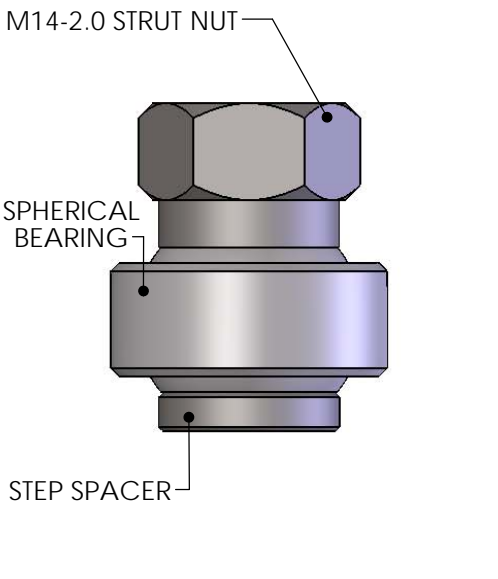
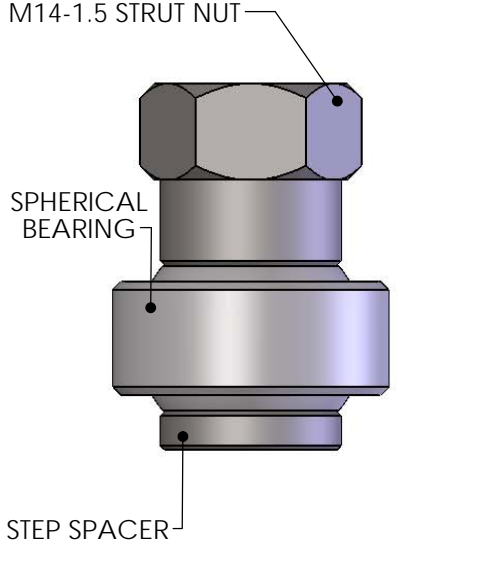
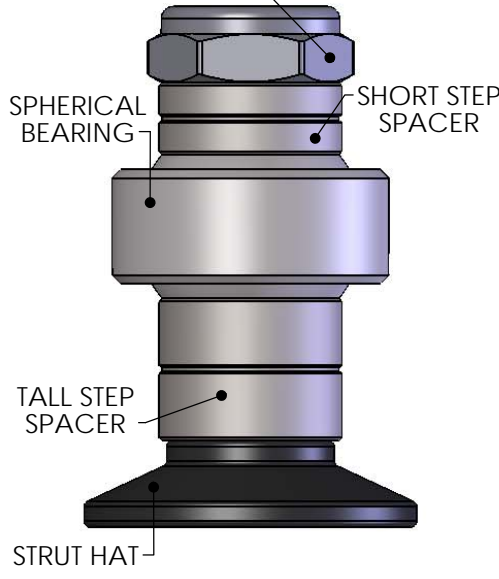
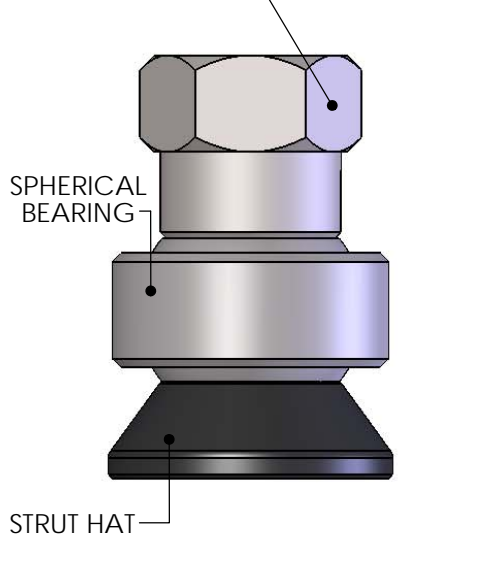
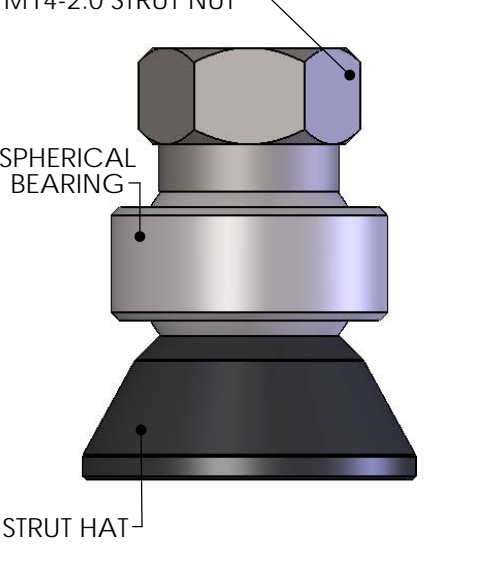
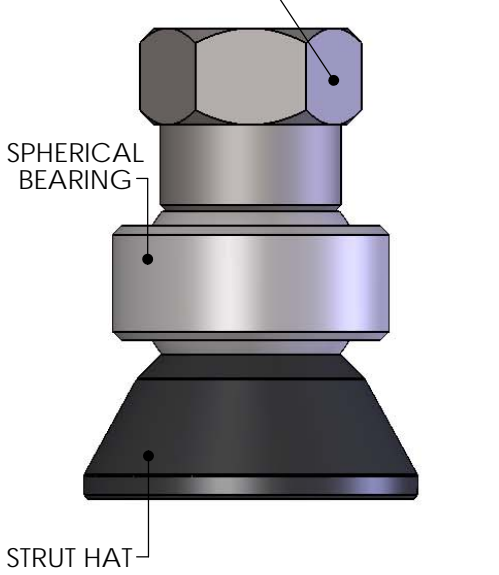
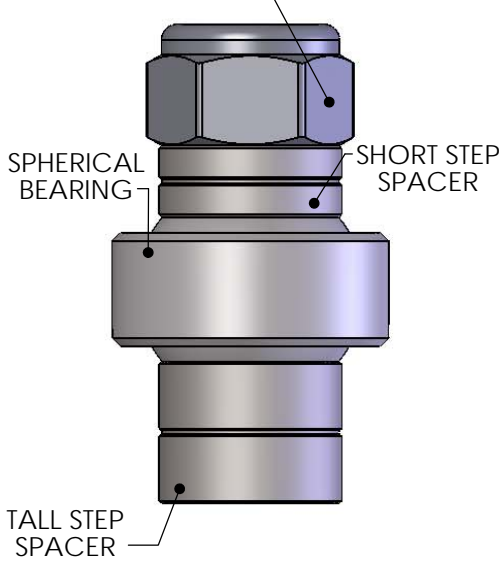


<p>OEM STYLE STRUT - NO COIL OVER M14-2.0</p>	<p>OEM STYLE STRUT - NO COIL OVER M14-1.5</p>	<p>SANTUFF MUSTANG - COIL OVER 5/8-18</p>	<p>SANTUFF CAMARO - COIL OVER 5/8-18</p>
<p>M14-2.0 STRUT NUT</p>  <p>SPHERICAL BEARING</p> <p>STEP SPACER</p>	<p>M14-1.5 STRUT NUT</p>  <p>SPHERICAL BEARING</p> <p>STEP SPACER</p>	<p>5/8-18 NYLOCK</p>  <p>SPHERICAL BEARING</p> <p>SHORT STEP SPACER</p> <p>TALL STEP SPACER</p> <p>STRUT HAT</p>	<p>5/8-18 STRUT NUT</p>  <p>SPHERICAL BEARING</p> <p>STRUT HAT</p>
<p>340010-1</p>	<p>340010-2</p>	<p>340010-3</p>	<p>340010-4</p>
<p>OEM STYLE STRUT - COIL OVER M14-2.0</p>	<p>OEM STYLE STRUT - COIL OVER M14-1.5</p>	<p>STRANGE MUSTANG- COIL OVER M16-2.0</p>	
<p>M14-2.0 STRUT NUT</p>  <p>SPHERICAL BEARING</p> <p>STRUT HAT</p>	<p>M14-1.5 STRUT NUT</p>  <p>SPHERICAL BEARING</p> <p>STRUT HAT</p>	<p>M16-2.0 NYLOCK</p>  <p>SPHERICAL BEARING</p> <p>SHORT STEP SPACER</p> <p>TALL STEP SPACER</p> <p>STRUT HAT</p>	
<p>340010-5</p>	<p>340010-6</p>	<p>340010-7</p>	

